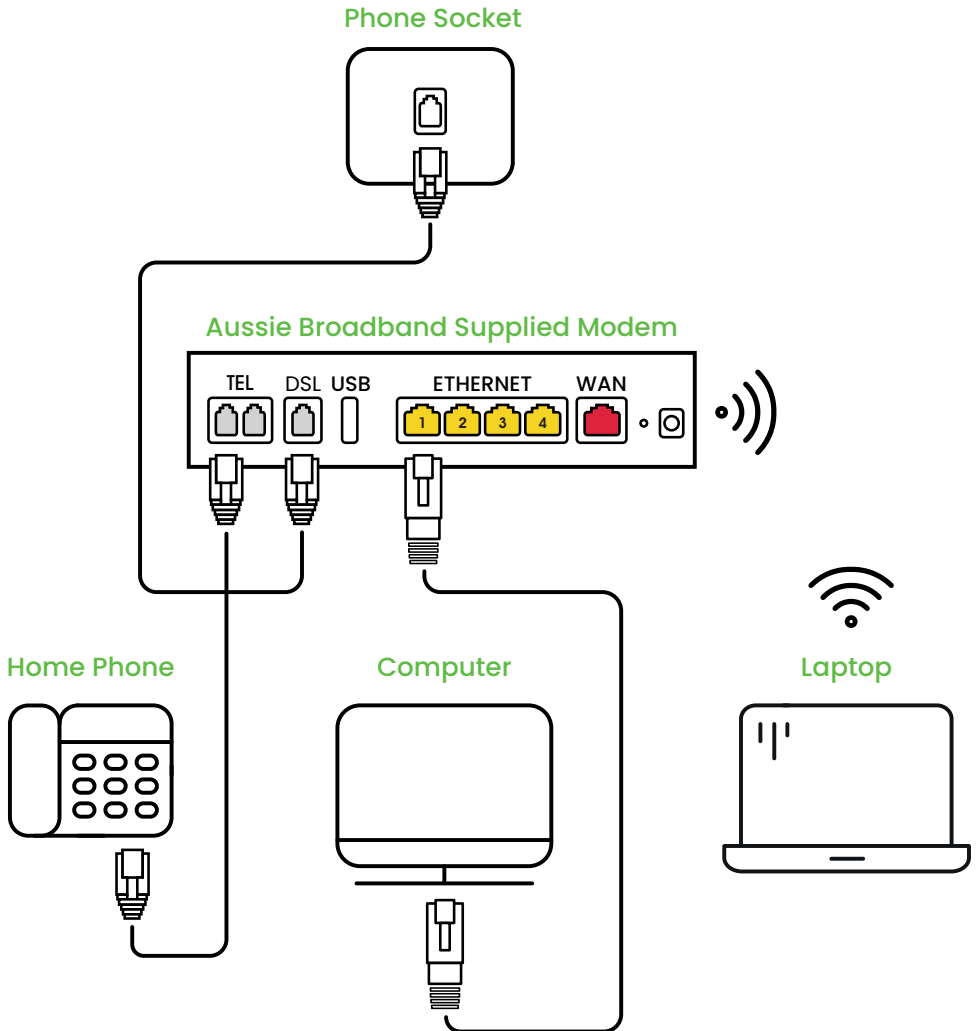


Aussie Broadband nbn®

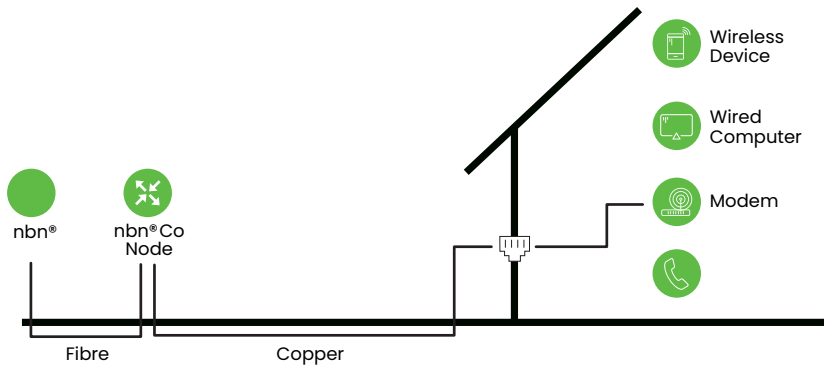
FTTN/B self installation guide



Getting to know your nbn®

What is FTTN?

FTTN stands for Fibre to the Node. The fibre optic cable is run from the point of interconnect (POI) to the nearest node, or green cabinet on the street, to your home. From the node, the signal then travels down the existing copper lines to your home.



What is FTTB?

FTTB stands for Fibre to the Building. The fibre optic cable runs all the way to a shared point in the building's communications room. From there, the connection travels through existing copper lines into each unit/apartment in the building.

